

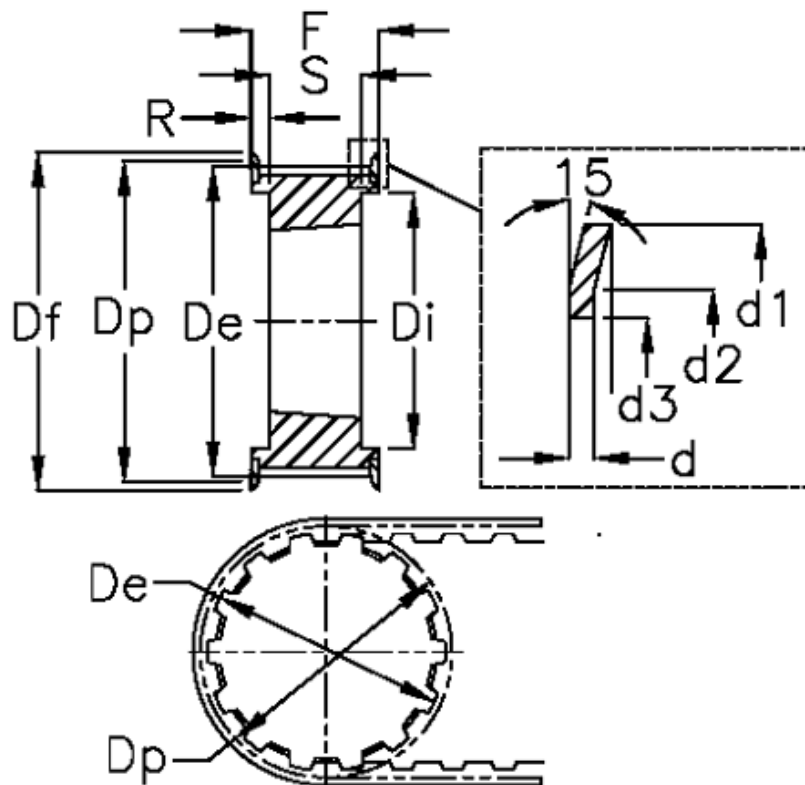
Data Sheet



Article number: 604132034085

Description: Taper bored timing belt pulley
HTD 34 8M 85 TL 1615

Measures



d = 1.5	F = 95	Weight = 1.43
d1 = 91	Flange type = F31	Width = 85
d2 = 85.5	For bushing = 1615	
d3 = 76	Max bore = 42	
De = 85.22	r = 28.5	
Df = 91	S = 38	
Di = 65	Tooth number = 34	
Dp = 86.58	Type = 8M	